


**Features:**

- Universal Input 100 – 240 VAC
- Internal EMI Filter
- Single Output
- Active Power Factor Correction
- Input Surge Current Protection
- Over-Current Protection
- Over-Voltage Protection
- 100% Burn-In
- Class I


**Input**

Input Voltage	100 to 240 VAC
Input Frequency	47 to 63Hz
Power Factor Correction	1.0 Max.
Input Current	2.0A Max. at 115VAC, 1.0A Max. at 230VAC, Full Load
Safety Ground Leakage Current	0.1mA Max. @ 240VAC, Full Load

**Output**

Output Voltage & Current	<b>See Chart</b>
Ripple & Noise (P-P)	1% Max., Full Load @ 90VAC Input
Over-Voltage Protection	Set at 112 - 132% of Nominal Output Voltage
Over-Current Protection	Set at 110 - 150% of Nominal Output Current
Temperature Coefficient	± 0.04% / °C Max.
Transient Response	Full Load to Half Load @ 100VAC Input: 4mS Max.

**Environmental**

Operating Temperature	0°C to 70°C
Derating	Derated from 100% at +50°C to 50% at +70°C
Storage Temperature	-40°C to 85°C
Relative Humidity	5% to 95% Non-Condensing

**Electrical**

Efficiency	90% Max.
Hold-Up Time	20mS Min.
Line Regulation	±1% Max. at Full Load
Load Regulation	±5% Max. at 230VAC
Inrush Current	54A @ 115VAC Max. 63A @ 230VAC Max. at 25°C Cold Start
Withstanding Voltage	5656 VDC from Primary to Secondary, 2828 VDC from Primary to Ground
Insulation Resistance	50 MΩ Min. from Output to Ground
Mean Time Between Failure (MTBF)	100,000 Hours Min., Full Load at 25°C Ambient

**Safety**

EMI Requirements	Meets Conduction Limits of: (A) CISPR-11 Class B (B) FCC Part 18 Class B
Safety Standards	Meets or Exceeds: (A) UR Listed (UL 60601-1) (B) TUV/T-Mark (EN 60601-1) (C) CE (D) CB



Single Output Voltage and Current Chart

Model Number **	Output Voltage	Output Current	Total Regulation	Maximum Output Power
SFM15 <u>Y</u> P112R	12 VDC	12.50 A	5%	150W
SFM15 <u>Y</u> P124R	24 VDC	6.25 A	3%	150W

\*\* To Determine Part Number:

Replace "Y" with "0" for 3-pin Input Header ( L - N - G ), "1" for 2-Pin Input Header ( L - N ).

Note: For U-Channel desing, order as **SMU15YP1XXR**

Example: **SMU150P124R** indicates a U-Channel design, 24VDC Unit with 3-Pin Input

Pin Connection

Pin	8-Pin Molex Crimp Terminal
1 - 4	V Output
5 - 8	Common





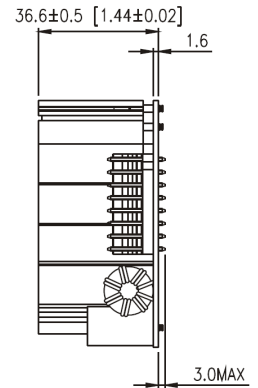
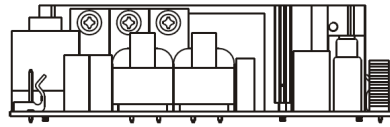
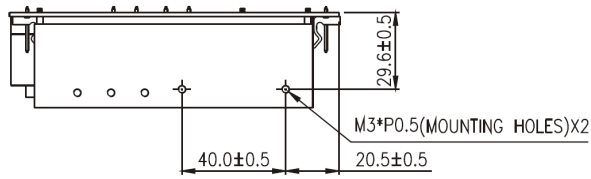
# SFM150/151P & SMU150/151P Series

Switchmode Medical Power Supply, U-Channel or Open-Frame, RoHS Compliant

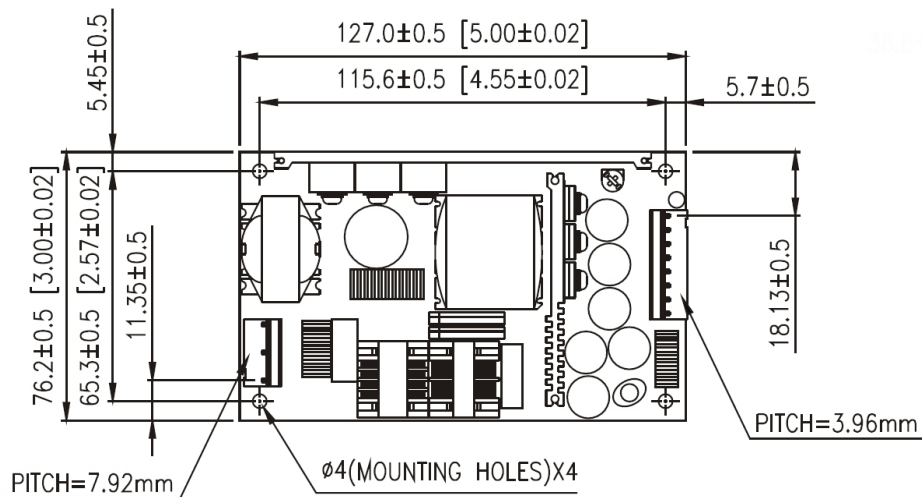
Date: 2/16/11

Rev: 010311

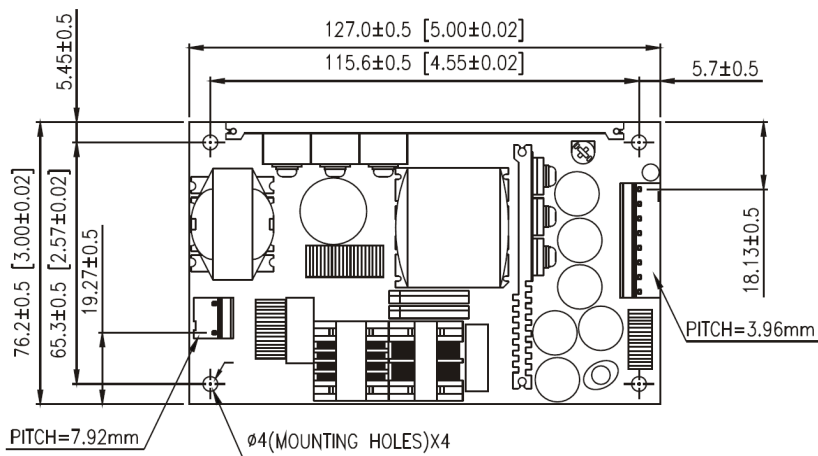
Page: 3 of 4



For 3-pin  
Input Order as: SFM150P\_\_\_R



For 2-pin  
Input Order as: SFM151P\_\_\_R



TECHNOLOGIES INC.  
HICKSVILLE, NEW YORK

264 Duffy Avenue  
Hicksville, NY 11801

Tel: (516) 433-1313  
Fax: (516) 433-1457

Web: [www.apxonline.com](http://www.apxonline.com)  
Email: [sales@apxonline.com](mailto:sales@apxonline.com)

© Copyright 1978  
APX Technologies, Inc.



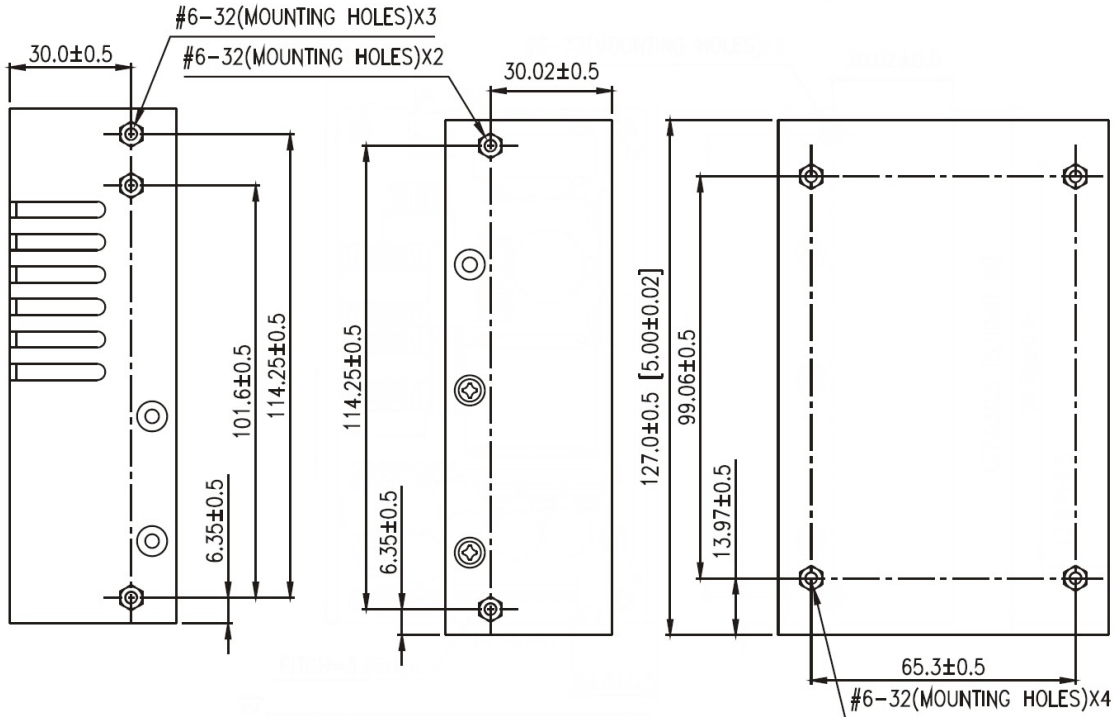
# SFM150/151P & SMU150/151P Series

Switchmode Medical Power Supply, U-Channel  
or Open-Frame, RoHS Compliant

Date: 2/16/11

Rev: 010311

Page: 4 of 4



For 3-pin  
Input Order as: SMU150P\_\_R

For 2-pin  
Input Order as: SMU151P\_\_R

