



Features:

- Universal Input 100 – 240 VAC
- Internal EMI Filter
- Dual & Triple Outputs
- Power Factor Correction
- Input Surge Current Protection
- Over-Current Protection
- Over-Voltage Protection
- 100% Burn-In
- RoHS Compliant



Input

Input Voltage	90 to 264 VAC
Input Frequency	47 to 63Hz
Power Factor Correction	1.0 Max.
Input Current	1.2A Max. at 115VAC 0.6A Max. at 230VAC
Safety Ground Leakage Current	0.75mA Max. @ 240VAC, Full Load

Output

Output Voltage & Current	See Chart
Ripple & Noise (P-P)	1% Max., Full Load @ 90VAC Input
Over-Voltage Protection	Set at 112 - 132% of Nominal Output Voltage
Over-Current Protection	Set at 110 - 150% of Nominal Output Current
Temperature Coefficient	± 0.04% / °C Max.
Transient Response	Full Load to Half Load @ 100VAC Input: 4mS Max.

Environmental

Operating Temperature	0°C to 70°C
Derating	Derated from 100% at +50°C to 50% at +70°C
Storage Temperature	-40°C to 85°C
Relative Humidity	5% to 95% Non-Condensing

Electrical

Efficiency	85% Max.
Hold-Up Time	16mS Min.
Line Regulation	±1% Max. at Full Load
Load Regulation	±7% Max. at 230VAC
Inrush Current	45A @ 115VAC Max. 90A @ 230VAC Max. at 25°C Cold Start
Withstanding Voltage	4242 VDC from Input to Output, 2121 VDC from Input to Ground
Insulation Resistance	50 MΩ Min. from Output to Ground
Mean Time Between Failure (MTBF)	100,000 Hours Min., Full Load at 25°C Ambient

Safety

EMI Requirements	Meets Conduction Limits of: (A) CISPR-22 Class B (B) FCC Part 15 Class B
Safety Standards	Meets or Exceeds: (A) UR Listed (UL 60950-1) (B) TUV/Bauart (EN 60950-1) (C) CE (D) CB



Dual Output Voltage and Current Chart

Model Number**	Output #1 Voltage & Regulation	Output #2 Voltage & Regulation	Maximum Output Power
SF8YP260R	+3.3V @ 12A 7%	+12V @ 5A 5%	80W
SF8YP250R	+5V @ 12A 5%	+12V @ 5A 5%	80W
SF8YP253R	+5V @ 12A 5%	+15V @ 5A 5%	80W
SF8YP254R	+5V @ 12A 5%	+24V @ 3A 5%	80W
SF8YP259R	+3.3V @ 12A 7%	+5V @ 5A 5%	64.6W

** To Determine Part Number:

Replace "Y" with "0" for 3-pin Input Header (L - N - G), "1" for 2-Pin Input Header (L - N).

Note: For U-Channel design, order as SFU8Y2XXR.

Example: SFU81P260R indicates a U-Channel, +3.3VDC & +12VDC unit with 2-Pin Input.

Pin Connection

Pin	Dual Output
1	Output #2
2	Output #2
3	Output #1
4	Output #1
5	Output #1
6	Output #1
7	Common
8	Common
9	Common
10	No Connection
11	Common
12	Common
13	No Connection



Output Voltage and Current Chart

Model Number	Output #1 Voltage & Regulation	Output #2 Voltage & Regulation	Output #3 Voltage & Regulation	Maximum Output Power
SF8YP382R	+3.3V @ 12A 7%	+12V @ 5A 5%	-12V @ 0.8A 5%	80W
SF8YP383R	+3.3V @ 12A 7%	+12V @ 5A 5%	+12V @ 0.8A 5%	80W
SF8YP377R	+5V @ 12A 5%	+12V @ 5A 5%	-5V @ 0.8A 5%	80W
SF8YP384R	+5V @ 12A 5%	+12V @ 5A 5%	+5V @ 0.8A 5%	80W
SF8YP370R	+5V @ 12A 5%	+12V @ 5A 5%	-12V @ 0.8A 5%	80W
SF8YP385R	+5V @ 12A 5%	+12V @ 5A 5%	+12V @ 0.8A 5%	80W
SF8YP374R	+5V @ 12A 5%	+15V @ 5A 5%	-15V @ 0.8A 5%	80W
SF8YP386R	+5V @ 12A 5%	+15V @ 5A 5%	+15V @ 0.8A 5%	80W
SF8YP376R	+5V @ 12A 5%	+24V @ 3A 5%	-24V @ 0.5A 5%	80W
SF8YP387R	+5V @ 12A 5%	+24V @ 3A 5%	+24V @ 0.5A 5%	80W
SF8YP379R	+5V @ 12A 5%	+24V @ 3A 5%	-12V @ 0.8A 5%	80W
SF8YP388R	+5V @ 12A 5%	+24V @ 3A 5%	+12V @ 0.8A 5%	80W
SF8YP380R	+3.3V @ 12A 7%	+12V @ 5A 5%	-5V @ 0.8A 5%	80W
SF8YP389R	+3.3V @ 12A 7%	+12V @ 5A 5%	+5V @ 0.8A 5%	80W
SF8YP390R	+5V @ 12A 5%	+10V @ 5A 5%	-10V @ 1A 5%	80W
SF8YP391R	+5V @ 12A 5%	+10V @ 5A 5%	+10V @ 1A 5%	80W
SF8YP393R	+3.3V @ 12A 7%	+5V @ 5A 5%	-12V @ 1A 5%	76.6W
SF8YP392R	+3.3V @ 12A 7%	+5V @ 5A 5%	+12V @ 1A 5%	76.6W

** To Determine Part Number:

Replace "Y" with "0" for 3-pin Input Header (L - N - G), "1" for 2-Pin Input Header (L - N).

Note: For U-Channel design, order as SFU8Y3XXR.

Example: SFU81P370R indicates a U-Channel, +5VDC, +12VDC & -12VDC unit with 2-Pin Input.

Pin Connection

Pin	Triple Output
1	Output #2
2	Output #2
3	Output #1
4	Output #1
5	Output #1
6	Output #1
7	Common
8	Common
9	Common
10	Output #3
11	Common
12	Common
13	No Connection



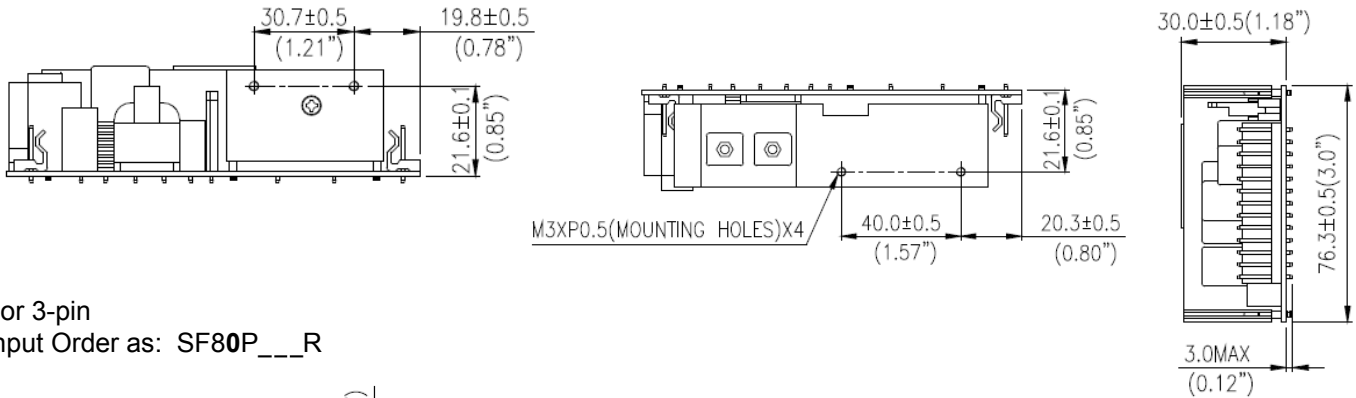
SF80/81P & SFU80/81P Series

Switchmode Power Supply, Open Frame or U-Channel, RoHS Compliant

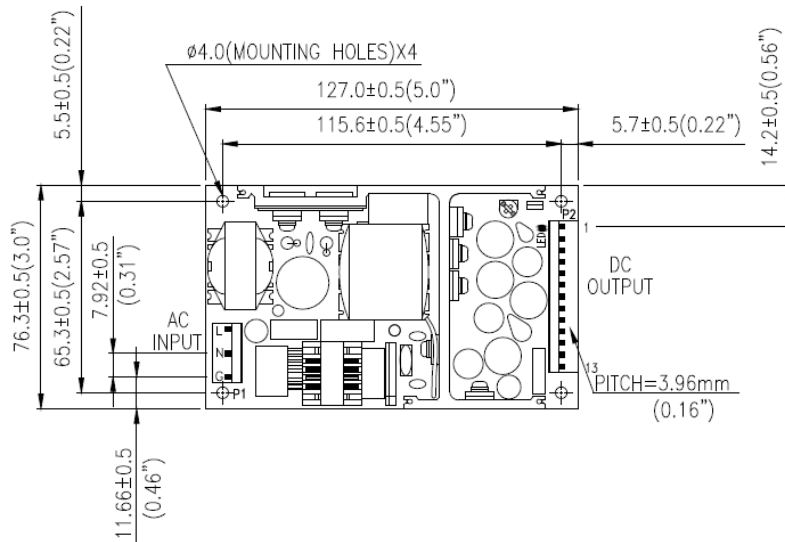
Date: 5/20/11

Rev: 030111

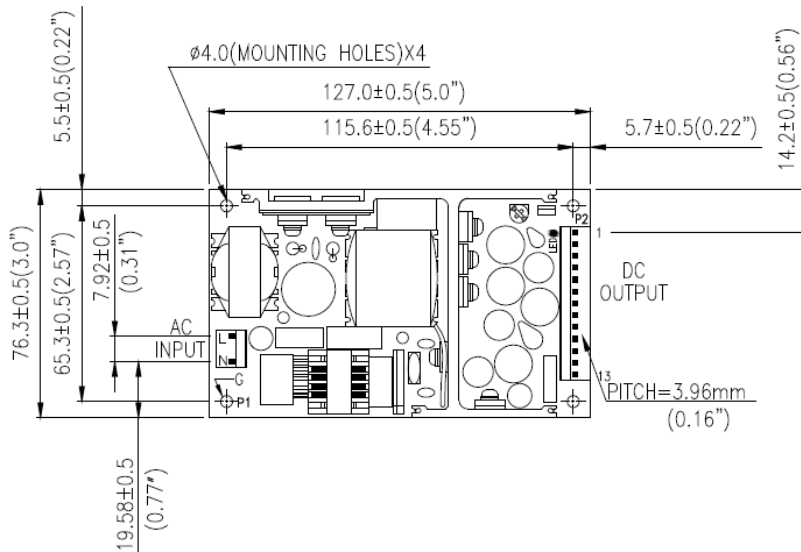
Page: 4 of 5



For 3-pin
Input Order as: SF80P___R



For 2-pin
Input Order as: SF81P___R



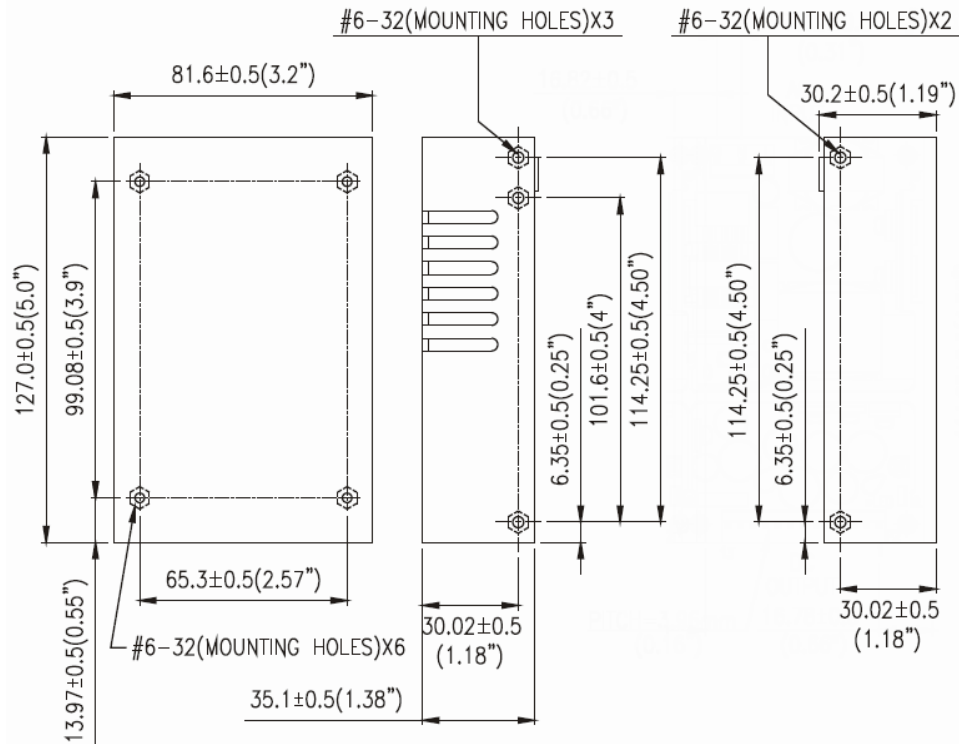
TECHNOLOGIES INC.
HICKSVILLE, NEW YORK

264 Duffy Avenue
Hicksville, NY 11801

Tel: (516) 433-1313
Fax: (516) 433-1457

Web: www.apxonline.com
Email: sales@apxonline.com

© Copyright 1978
APX Technologies, Inc.



For 3-pin
Input Order as: SFU80P__R

For 2-pin
Input Order as: SFU81P__R

