



Features:

- Universal Input 100 – 240 VAC
- Internal EMI Filter
- 9 VDC to 48 VDC Single Outputs Available
- Input Surge Current Protection
- Over-Current & Over-Voltage Protection
- Active Power Factor Correction
- Power Fail Detection Optional
- 100% Burn-In
- RoHS Compliant



Input

Input Voltage	90 to 264 VAC
Input Frequency	47 to 63Hz
Power Factor Correction	1.0 Max.
Input Current	2.0A Max. at 115VAC 0.8A Max. at 230VAC
Safety Ground Leakage Current	0.75mA Max. @ 240VAC, Full Load

Output

Output Voltage & Current	See Chart
Ripple & Noise (P-P)	1% Max., Full Load @ 90VAC Input
Over-Voltage Protection	Set at 112 - 132% of Nominal Output Voltage
Over-Current Protection	Set at 110 - 150% of Nominal Output Current
Temperature Coefficient	± 0.04% / °C Max.
Transient Response	Full Load to Half Load @ 100VAC Input: 4mS Max.

Environmental

Operating Temperature	0°C to 70°C
Derating	Derated from 100% at +40°C to 50% at +70°C
Storage Temperature	-40°C to 85°C
Relative Humidity	5% to 95% Non-Condensing

Electrical

Efficiency	90% Max.
Hold-Up Time	16mS Min.
Line Regulation	±1% Max. at Full Load
Load Regulation	±5% Max. at 230VAC
Inrush Current	54A @ 115VAC Max. 63A @ 230VAC Max.
Withstanding Voltage	4242 VDC from Input to Output, 2121 VDC from Input to Ground
Insulation Resistance	50 MΩ Min. from Output to Ground
Mean Time Between Failure (MTBF)	100,000 Hours Min., Full Load at 25°C Ambient

Safety

EMI Requirements	Meets Conduction Limits of: (A) CISPR-22 Class B (B) FCC Part 15 Class B
Safety Standards	Meets or Exceeds: (A) UR Listed (UL 60950-1) (B) TUV/Bauart (EN 60950-1) (C) CE (D) CB



Single Output Voltage and Current Chart

Model Number**	Output Voltage	Output Current	Total Regulation	Maximum Output Power
SF15YP109R	9 VDC	16.0 A	5%	144W
SF15YP112R	12 VDC	12.5 A	5%	150W
SF15YP115R	15 VDC	10.0 A	5%	150W
SF15YP118R	18 VDC	8.33 A	4%	150W
SF15YP124R	24 VDC	6.25 A	3%	150W
SF15YP130R	30 VDC	5.00 A	2%	150W
SF15YP136R	36 VDC	4.17 A	2%	150W
SF15YP148R	48 VDC	3.13 A	2%	150W

** To Determine Part Number:

Replace "Y" with "0" for 3-pin Input Header (L - N - G), "1" for 2-Pin Input Header (L - N).

Note: For U-Channel design, order as SFU15YP1XXR

For **Power Fail Detection** Option on Pin 13, order as SF_15YP1XXPR

Example: SF150P124PR indicates a 24 Volt Unit with Power Fail Detection on Pin 13 and 3-Pin Input.

Pin Connection

Pin	Single Output
1	Output
2	Output
3	Output
4	Output
5	Output
6	Output
7	Return
8	Return
9	Return
10	Return
11	Return
12	Return
13	PFD* Optional

*Power Fail Detection





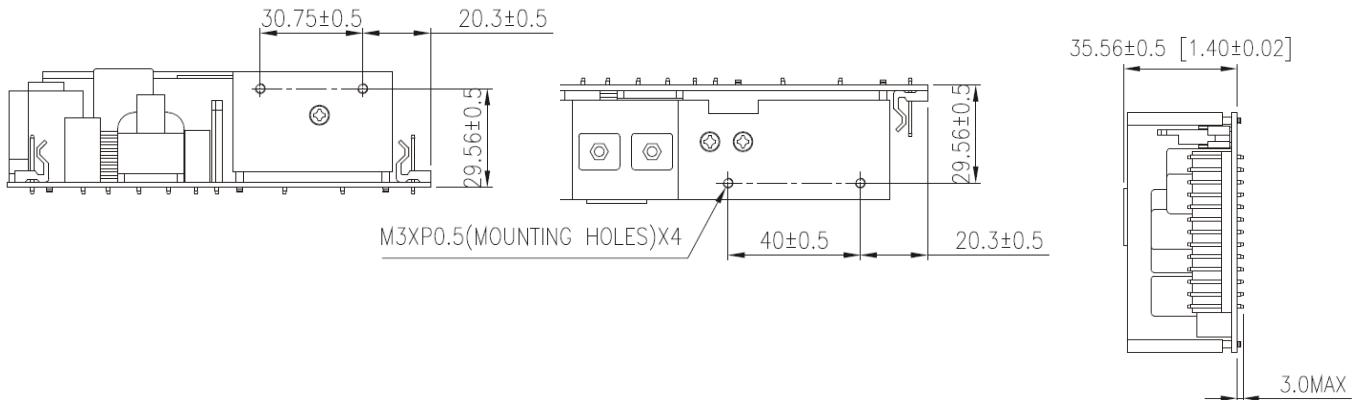
SF150/151P & SFU150/151P Series

Switchmode Power Supply, Open Frame or U-Channel, RoHS Compliant

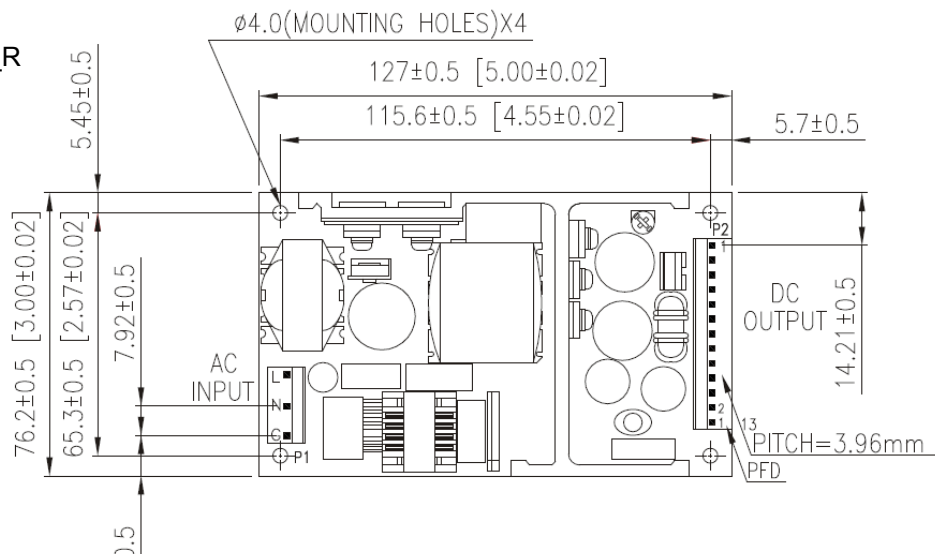
Date: 2/15/11

Rev: 010311

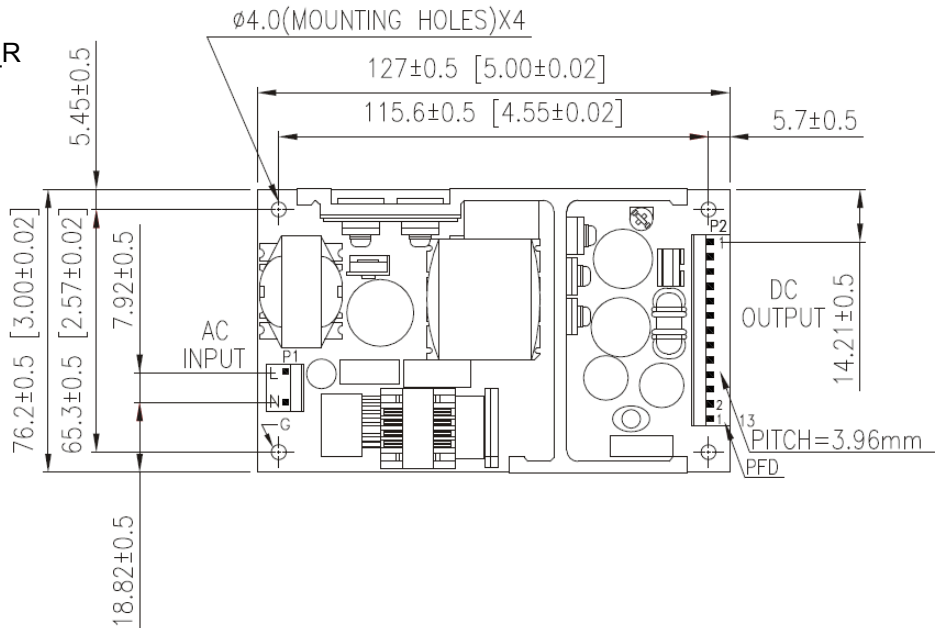
Page: 3 of 4



For 3-pin
Input Order as: SF150P1__R



For 2-pin
Input Order as: SF151P1__R



TECHNOLOGIES INC.
HICKSVILLE, NEW YORK

264 Duffy Avenue
Hicksville, NY 11801

Tel: (516) 433-1313
Fax: (516) 433-1457

Web: www.apxonline.com
Email: sales@apxonline.com

© Copyright 1978
APX Technologies, Inc.



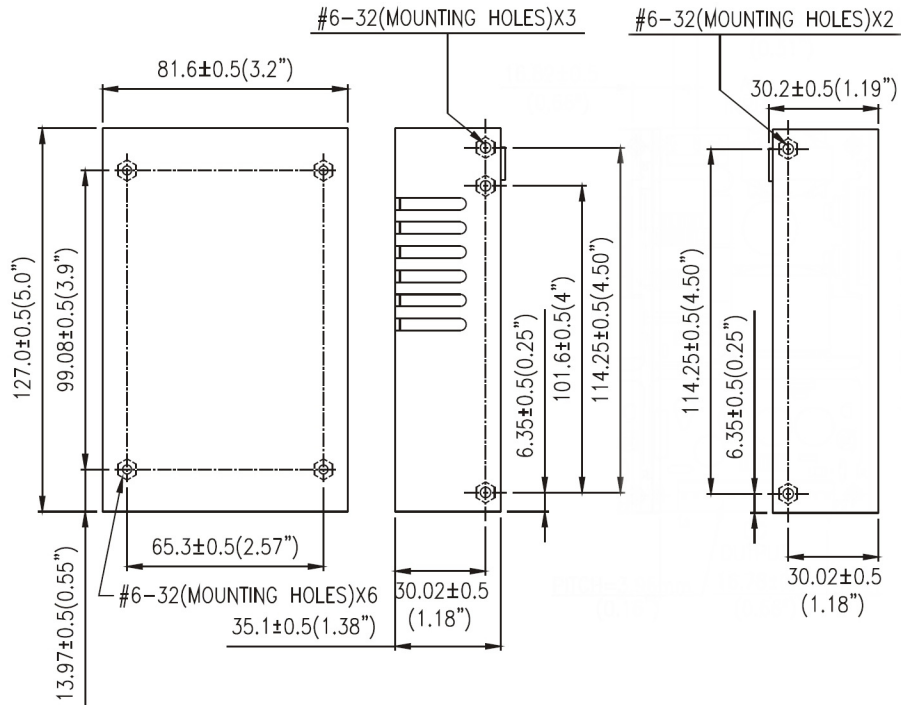
SF150/151P & SFU150/151P Series

Switchmode Power Supply, Open Frame or U-Channel, RoHS Compliant

Date: 2/15/11

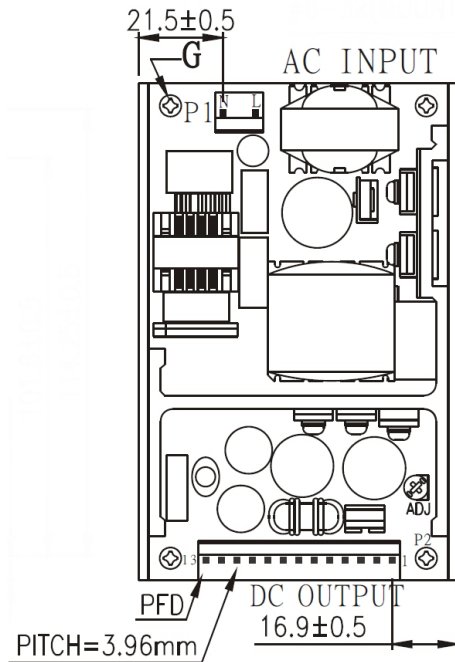
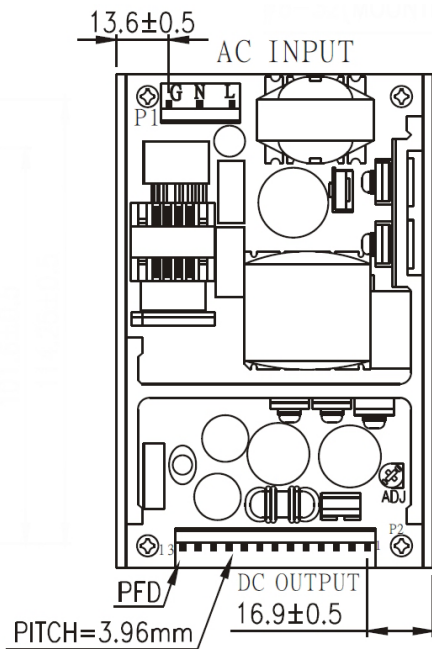
Rev: 010311

Page: 4 of 4



For 3-pin
Input Order as: SFU150P1__R

For 2-pin
Input Order as: SFU151P1__R



TECHNOLOGIES INC.
HICKSVILLE, NEW YORK

264 Duffy Avenue
Hicksville, NY 11801

Tel: (516) 433-1313
Fax: (516) 433-1457

Web: www.apxonline.com
Email: sales@apxonline.com

© Copyright 1978
APX Technologies, Inc.