



Features:

- Universal Input 100 – 240 VAC
- Internal EMI Filter
- Single Outputs
- 3 VDC to 50 VDC Output Available
- Input Surge Current Protection
- Over-Current Protection
- Over-Voltage Protection
- 100% Burn-In
- RoHS Compliant



Input

Input Voltage	90 to 264 VAC
Input Frequency	47 to 63Hz
Power Factor Correction	1.0 Max.
Input Current	1.6A Max. at 115VAC 0.8A Max. at 230VAC
Safety Ground Leakage Current	0.75mA Max. @ 240VAC, Full Load

Output

Output Voltage & Current	See Chart
Ripple & Noise (P-P)	1% Max., Full Load @ 90VAC Input
Over-Voltage Protection	Set at 112 - 132% of Nominal Output Voltage
Over-Current Protection	Set at 110 - 150% of Nominal Output Current
Temperature Coefficient	± 0.04% / °C Max.
Transient Response	Full Load to Half Load @ 100VAC Input: 4mS Max.

Environmental

Operating Temperature	0°C to 70°C
Derating	Derated from 100% at +50°C to 50% load at +70°C
Storage Temperature	-40°C to 85°C
Relative Humidity	5% to 95% Non-Condensing

Electrical

Efficiency	85% Max.
Hold-Up Time	16mS Min.
Line Regulation	±1% Max. at Full Load
Load Regulation	±5% Max. at 230VAC
Inrush Current	50A @ 115VAC Max. 100A @ 230VAC Max. at 25°C Cold Start
Withstanding Voltage	4242 VDC from Input to Output, 2121 VDC from Input to Ground
Insulation Resistance	50 MΩ Min. from Output to Ground
Mean Time Between Failure (MTBF)	100,000 Hours Min., Full Load at 25°C Ambient

Safety

EMI Requirements	Meets Conduction Limits of: (A) CISPR-22 Class B (B) FCC Part 15 Class B
------------------	--

Safety Standards	Meets or Exceeds: (A) UR Listed (UL 60601-1) (B) TUV/Bauart (EN 60601-1) (C) CE (D) CB
------------------	--



Single Output Voltage and Current Chart

Model Number**	Output Voltage	Output Current	Total Regulation	Maximum Output Power
SF10 <u>Y</u> P1XXR	3 - 5 VDC	18.00 - 10.80 A	5%	54W
SF10 <u>Y</u> P1XXR	5 - 6 VDC	14.00 - 11.66 A	5%	70W
SF10 <u>Y</u> P1XXR	6 - 9 VDC	13.33 - 8.88 A	5%	80W
SF10 <u>Y</u> P1XXR	9 - 11 VDC	11.11 - 9.09 A	5%	100W
SF10 <u>Y</u> P1XXR	12 - 13 VDC	8.33 - 7.69 A	3%	100W
SF10 <u>Y</u> P1XXR	14 - 16 VDC	7.14 - 6.25 A	3%	100W
SF10 <u>Y</u> P1XXR	17 - 21 VDC	5.88 - 4.76 A	3%	100W
SF10 <u>Y</u> P1XXR	22 - 27 VDC	4.54 - 3.70 A	2%	100W
SF10 <u>Y</u> P1XXR	28 - 33 VDC	3.57 - 3.03 A	2%	100W
SF10 <u>Y</u> P1XXR	34 - 40 VDC	2.94 - 2.50 A	2%	100W
SF10 <u>Y</u> P1XXR	41 - 50 VDC	2.44 - 2.00 A	2%	100W

** To Determine Part Number:

Replace "XX" with Required Output Voltage (5VDC = "05", 12VDC = "12", 48VDC = "48", ect.)

Replace "Y" with "0" for 3-pin Input Header (L - N - G), "1" for 2-Pin Input Header (L - N).

Note: For U-Channel design, order as SFU10Y1XXR.

Example: SFU100P124R indicates a U-Channel, 24VDC Unit with 3-Pin Input.

Pin Connection

Pin	Single Output
1	Output
2	Output
3	Output
4	Output
5	Output
6	Output
7	Return
8	Return
9	Return
10	Return
11	Return
12	Return
13	No Connection





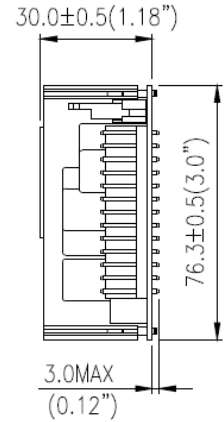
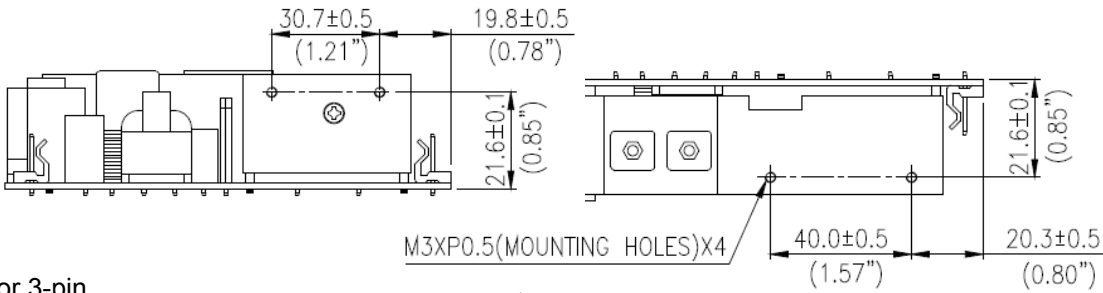
SF100/101P & SFU100/101P Series

Switchmode Power Supply, Open Frame or U-Channel, RoHS Compliant

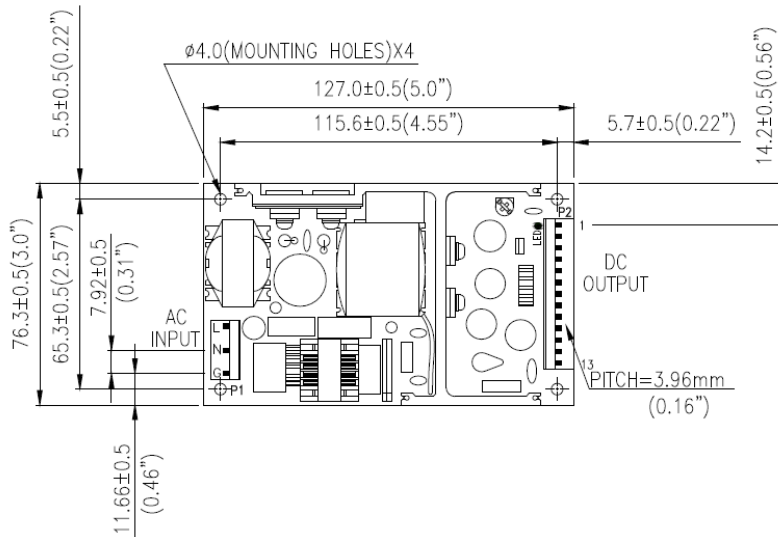
Date: 5/23/11

Rev: 030111

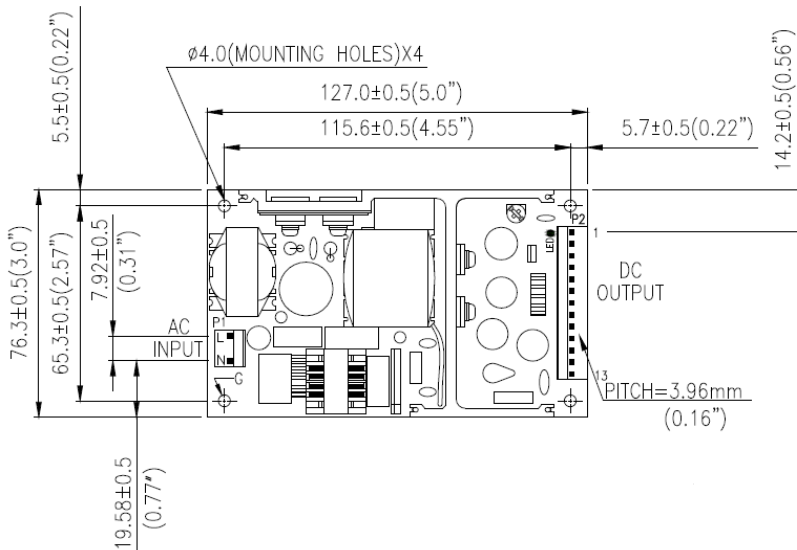
Page: 3 of 4



For 3-pin
Input Order as: SF100P1__R



For 2-pin
Input Order as: SF101P1__R



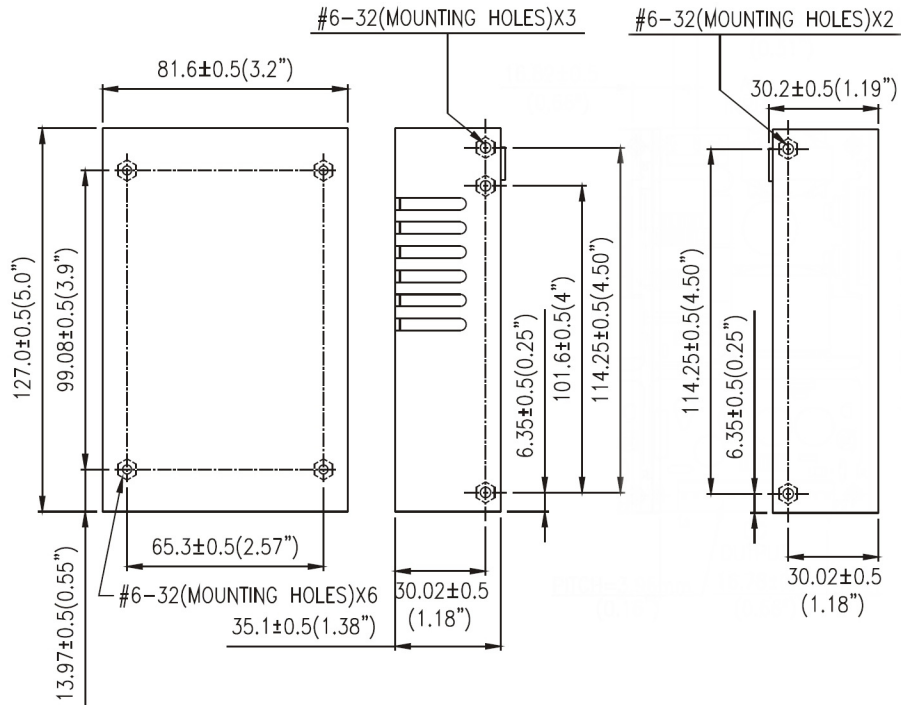
TECHNOLOGIES INC.
HICKSVILLE, NEW YORK

264 Duffy Avenue
Hicksville, NY 11801

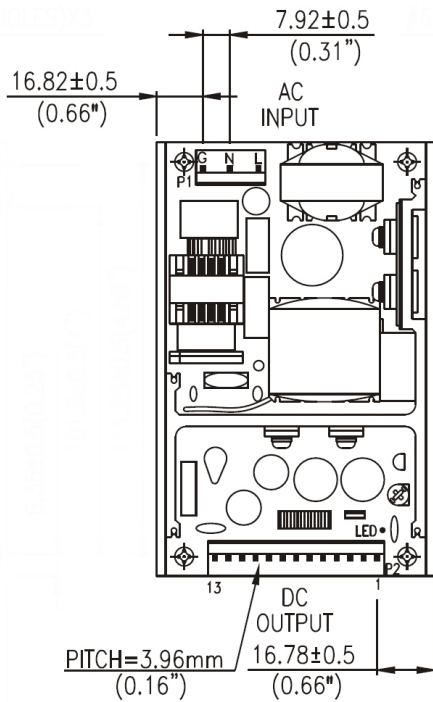
Tel: (516) 433-1313
Fax: (516) 433-1457

Web: www.apxonline.com
Email: sales@apxonline.com

© Copyright 1978
APX Technologies, Inc.



For 3-pin
Input Order as: SFU100P1__R



For 2-pin
Input Order as: SFU101P1__R

