



### Features:

- Compact Design
- Over-Voltage Protection
- Short Circuit Protection
- Over-Current Protection
- 100% Burn-In
- LED Indication
- 100% Hi-Pot Tested
- RoHS Compliant
- CEC Efficiency Level: IV



### Input

Input Voltage	90 to 264 VAC
Input Frequency	47 to 63Hz
Input Current	2.0A Max. @ 115VAC, 1.0A Max. @ 230VAC, Full Load
Safety Ground Leakage Current	0.25mA Max.

### Output

Output Voltage & Current	<i>See Chart</i>
Ripple & Noise (P-P)	<i>See Chart</i>
Over-Voltage Protection	135% Max. of Nominal Voltage, Auto Recovery
Over-Current Protection	Protected to 5.5A Max.
Short Circuit Protection	Protected to Short Circuit Conditions, Auto Start
Temperature Coefficient	± 0.05% / °C Max.

### Environmental

Operating Temperature	0°C to 40°C
Storage Temperature	-20°C to 85°C
Relative Humidity	5% to 95% Non-Condensing

### Electrical

Efficiency	Meets CEC Level IV Criteria
No Load Power Consumption	≤0.5 Watts
Hold-Up Time	10mS Min.
Line Regulation	±1% Max. at Full Load
Load Regulation	±5% Max. at Full Load
Inrush Current	40A Max. @ 110VAC, 80A Max. @ 220VAC, Cold Start
Withstanding Voltage	4242 VDC from Input to Output, 2121 VDC from Input to Ground
Insulation Resistance	100 MΩ Min. from Output to Ground
Mean Time Between Failure (MTBF)	100,000 Hours Min., Full Load at 25°C Ambient

### Safety

EMI Requirements	Meets Conduction Limits of: (A) FCC Part-15 Class B (B) CISPR-22 Class B
Safety Standards	Meets or Exceeds: (A) UL/c-UL (B) TUV (C) EK (D) PSE (E) BSMI (F) CE (G) CB (H) CEC Level IV Compliant



# SP56D Series

Desk-Top, Switch Mode Power Supply  
RoHS Compliant, CEC Efficiency Level IV

Date: 11/14/08

Rev: 052308

Page: 2 of 2

### Output Voltage and Current Chart

Model Number**	Output Voltage	Maximum Output Current	Ripple & Noise	Maximum Output Power
SP56D8XXR	15 - 24 VDC	2.95 A	1.5% Max.	56W

\*\* To Determine Part Number:

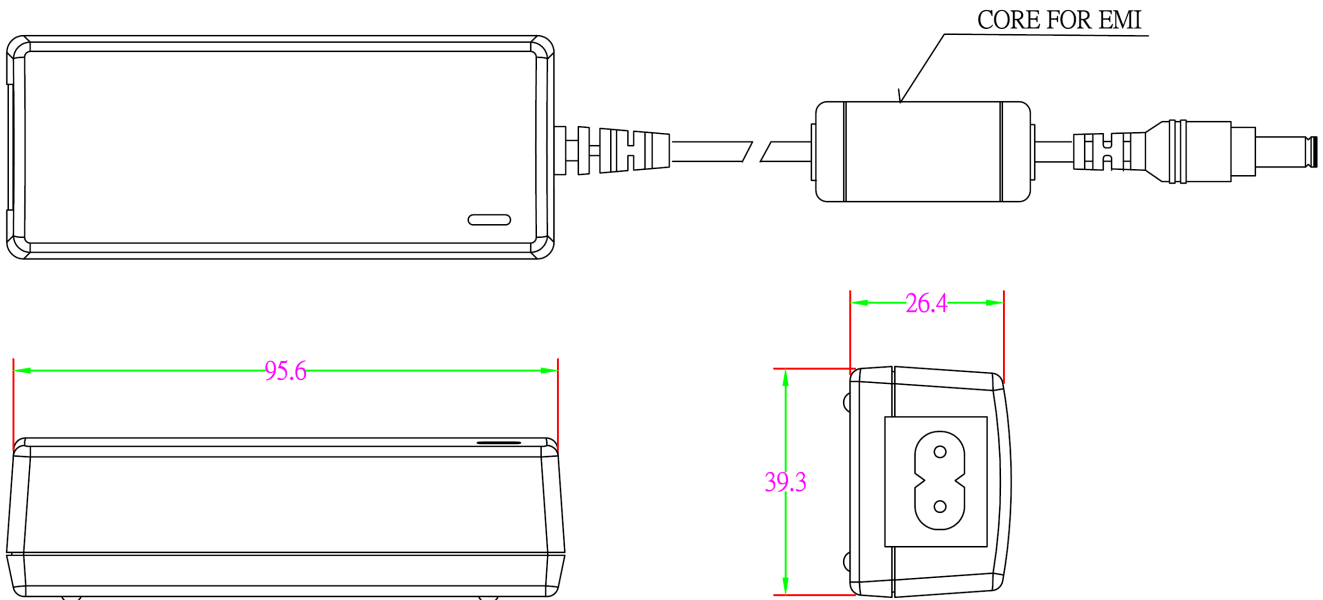
- Replace "XX" with Required Output Voltage (15VDC = "15", 24VDC = "24", etc.)

Example: SP56D824R indicates a 24VDC Unit.

**Note:**

Output connector to be specified

Standard Termination is a 4 ft. Cable with 2.5 x 5.5 x 11mm Female Barrel Plug, Center Positive (+).



TECHNOLOGIES INC.  
HICKSVILLE, NEW YORK

• 264 Duffy Avenue  
• Hicksville, NY 11801

• Tel: (516) 433-1313  
• Fax: (516) 433-1457

• Web: [www.apxonline.com](http://www.apxonline.com)  
• Email: [sales@apxonline.com](mailto:sales@apxonline.com)

• © Copyright 1978  
• APX Technologies, Inc.