



SP20DY – SP36DY Series

Wall Plug-In, Switch Mode Power Supply
RoHS Compliant, CEC Efficiency Level IV

Date: 5/5/10
Rev: 030110
Page: 1 of 2



Features:

- Universal Input 100 – 240 VAC
- 3 VDC to 54 VDC
- 20 to 36 Watts
- Available in U.S., Euro, U.K. & Aust. Fixed Base
- High Efficiency, Low Cost Design
- Over-Voltage Protection
- Short Circuit Protection
- RoHS Compliant
- CEC Efficiency Level: IV



Input

Input Voltage	90 to 264 VAC
Input Frequency	47 to 63Hz
Input Current	1.0A Max
Inrush Current	60A Max
Safety Ground Leakage Current	0.25mA Max.

Output

Output Voltage & Current	<i>See Chart</i>
Ripple & Noise (P-P)	<i>See Chart</i>
Over-Voltage Protection	Auto Recovery
Over-Current Protection	Protected to Short Circuit Conditions, Auto Recovery
Temperature Coefficient	±0.04% / °C Max.

Environmental

Operating Temperature	0°C to 70°C
Derating	Derated from 100% at +40°C to 50% at +70°C
Storage Temperature	-20°C to 85°C
Relative Humidity	5% to 95% Non-Condensing

Electrical

Efficiency	Meets CEC Level IV Criteria
No Load Power Consumption	≤0.5 Watts
Hold-Up Time	8.3mS Minimum
Turn-On Time	3s Max.
Line Regulation	±1% Maximum
Load Regulation	±5% Maximum
Mean Time Between Failure (MTBF)	100,000 Hours Minimum

Safety

EMI Requirements	Meets Conduction Limits of: (A) FCC Part-15 Class B (B) CISPR-22 Class B
Safety Standards	Meets or Exceeds: (A) UL/c-UL (U.S. Model) (B) FCC (U.S. Model) (C) TUV (Euro Model) (D) CE (Euro, Aust., U.K. Models) (E) CB (Aust., U.K. Models) (F) DoIR+C-Tick (Aust. Model) (G) CCC (H) PSE



TECHNOLOGIES INC.
HICKSVILLE, NEW YORK

• 264 Duffy Avenue
• Hicksville, NY 11801

• Tel: (516) 433-1313
• Fax: (516) 433-1457

• Web: www.apxonline.com
• Email: sales@apxonline.com

• © Copyright 1978
• APX Technologies, Inc.

Output Voltage and Current Chart

Model Number*	Output Range Voltage†	Max Load Limited to		Ripple & Noise	Notes
		Max Power Load	Max Power		
SP20DYXXR	5 - 8 VDC	4.00 A	20W	100 mV	* Replace "XX" w ith Desired Output Voltage
SP20DYXXR	9 - 12 VDC	2.00 A	20W	250 mV	* Replace "Y" w ith Desired Base Plug:
SP20DYXXR	13 - 20 VDC	1.54 A	20W	250 mV	U = US Plug E = Euro Plug
SP20DYXXR	21 - 35 VDC	0.95 A	20W	350 mV	B = British Plug A = Australian Plug
SP30DYXXR	5 - 8 VDC	3.50 A	25W	100 mV	
SP30DYXXR	9 - 12 VDC	3.00 A	30W	250 mV	Example: SP20DU12R indicates a 20-w att,
SP30DYXXR	13 - 20 VDC	2.30 A	30W	250 mV	12VDC Unit w ith a U.S. Input Plug.
SP30DYXXR	21 - 35 VDC	1.42 A	30W	350 mV	
SP36DYXXR	12 VDC	3.00 A	36W	250 mV	† Output Voltages Betw een Stated Values
SP36DYXXR	21 - 35 VDC	1.50 A	36W	350 mV	Also Available

Note:

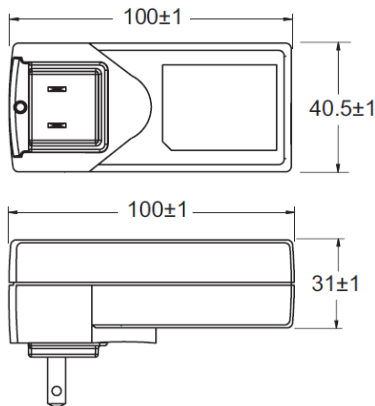
Output connector to be specified

Standard Connector is a 2.5 x 5.5 x 11mm Female Barrel Plug, Center Positive (+)

The cable length and wire gauge will be dependent on CEC requirements for each current level.

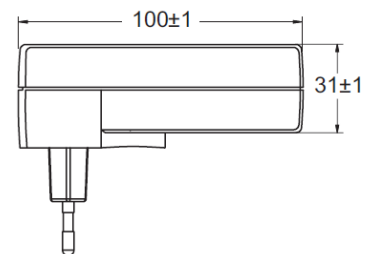
U.S. Plug:

Order as SPXXDUXXR



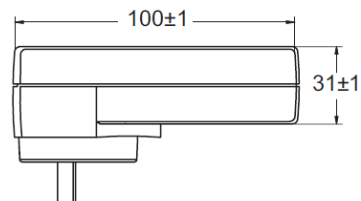
European (E.U.) Plug:

Order as SPXXDEXXR



British (U.K.) Plug:

Order as SPXXDBXXR



Australian (S.A.A.) Plug:

Order as SPXXDAXXR

