



Features:

- Universal Input 100 – 240 VAC
- 3 VDC to 54 VDC
- 20 to 36 Watts
- Available in U.S., Euro, U.K. & Aust. Fixed Base
- High Efficiency, Low Cost Design
- Over-Voltage Protection
- Short Circuit Protection
- RoHS Compliant
- CEC Efficiency Level: IV



Input

| | |
|-------------------------------|---------------|
| Input Voltage | 90 to 264 VAC |
| Input Frequency | 47 to 63Hz |
| Input Current | 1.0A Max |
| Inrush Current | 60A Max |
| Safety Ground Leakage Current | 0.25mA Max. |

Output

| | |
|--------------------------|--|
| Output Voltage & Current | <i>See Chart</i> |
| Ripple & Noise (P-P) | <i>See Chart</i> |
| Over-Voltage Protection | Auto Recovery |
| Over-Current Protection | Protected to Short Circuit Conditions, Auto Recovery |
| Temperature Coefficient | ±0.04% / °C Max. |

Environmental

| | |
|-----------------------|--------------------------|
| Operating Temperature | 0°C to 40°C |
| Storage Temperature | -20°C to 85°C |
| Relative Humidity | 5% to 95% Non-Condensing |

Electrical

| | |
|----------------------------------|-----------------------------|
| Efficiency | Meets CEC Level IV Criteria |
| No Load Power Consumption | ≤0.5 Watts |
| Hold-Up Time | 8.3mS Minimum |
| Turn-On Time | 3s Max. |
| Line Regulation | ±1% Maximum |
| Load Regulation | ±5% Maximum |
| Mean Time Between Failure (MTBF) | 100,000 Hours Minimum |

Safety

| | |
|------------------|--|
| EMI Requirements | Meets Conduction Limits of: (A) FCC Part-15 Class B (B) CISPR-22 Class B |
| Safety Standards | Meets or Exceeds: (A) UL/c-UL (U.S. Model) (B) FCC (U.S. Model) (C) TUV (Euro Model) (D) CE (Euro, Aust., U.K. Models) (E) CB (Aust., U.K. Models) (F) DoIR+C-Tick (Aust. Model) |



SP20DY – SP36DY Series

Wall Plug-In, Switch Mode Power Supply
RoHS Compliant, CEC Efficiency Level IV

Date: 10/16/08

Rev: 052308

Page: 2 of 2

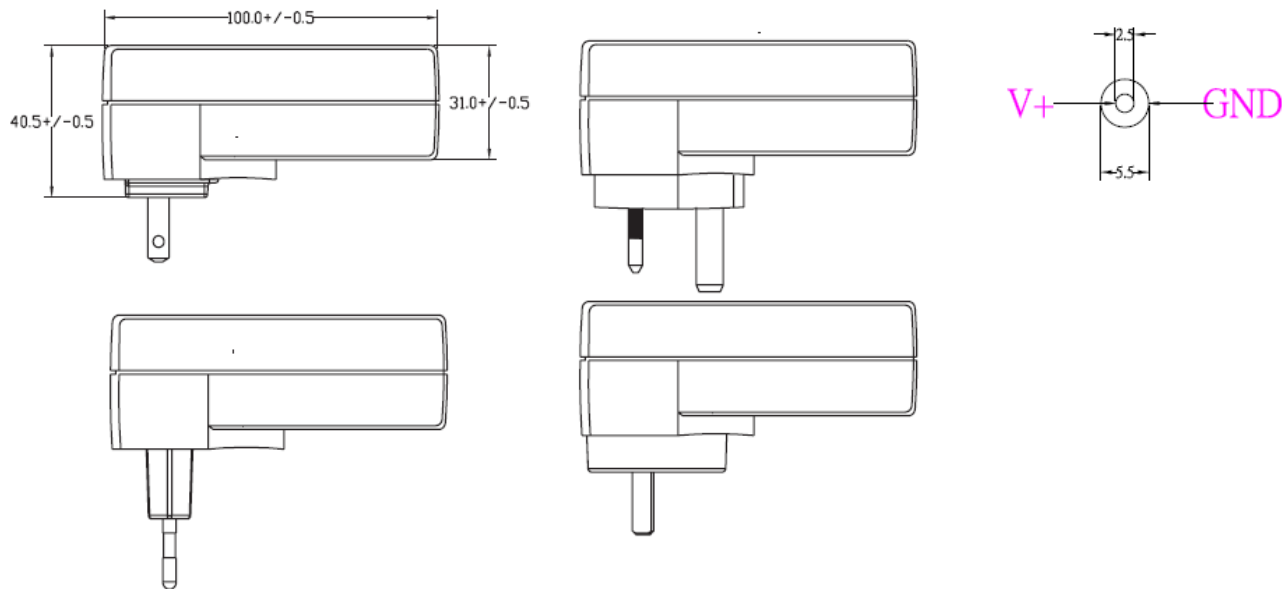
Output Voltage and Current Chart

| Model Number * | Output Range Voltage† | Max Load Limited to | | Notes |
|----------------|-----------------------|---------------------|-----------|---|
| | | Max Power Load | Max Power | |
| SP20DYXXR | 5 - 8 VDC | 4.00 A | 20W | * Replace "XX" w ith Desired Output Voltage |
| SP20DYXXR | 9 - 12 VDC | 2.00 A | 20W | * Replace "Y" w ith Desired Base Plug: |
| SP20DYXXR | 13 - 20 VDC | 1.54 A | 20W | U = US Plug E = Euro Plug |
| SP20DYXXR | 21 - 35 VDC | 0.95 A | 20W | B = British Plug A = Australian Plug |
| SP30DYXXR | 5 - 8 VDC | 3.50 A | 25W | |
| SP30DYXXR | 9 - 12 VDC | 3.00 A | 30W | Example: SP20DU12R indicates a 20-w att, 12VDC |
| SP30DYXXR | 13 - 20 VDC | 2.30 A | 30W | Unit w ith a U.S. Input Plug. |
| SP30DYXXR | 21 - 35 VDC | 1.42 A | 30W | |
| SP36DYXXR | 12 VDC | 3.00 A | 36W | |
| SP36DYXXR | 21 - 35 VDC | 1.50 A | 36W | † Output Voltages Betw een Stated Values Also Available |

Note:

Output connector to be specified

Standard Connector is a 6 ft. cable with 2.5 x 5.5 x 11mm Female Barrel Plug, Center Positive (+)



TECHNOLOGIES INC.
HICKSVILLE, NEW YORK

264 Duffy Avenue
Hicksville, NY 11801

Tel: (516) 433-1313
Fax: (516) 433-1457

Web: www.apxonline.com
Email: sales@apxonline.com

© Copyright 1978
APX Technologies, Inc.