



Features:

- Universal Input 100 – 240 VAC
- IEC320-C14 Input Socket
- Built-In Cooling Fan
- Over-Current Protection
- Over-Voltage Protection
- 100% Burn-In
- LED Indication
- RoHS Compliant



Input

Input Voltage	90 to 264 VAC
Input Frequency	47 to 63Hz
Input Current	3.2A Max. at 115VAC, 1.7A Max. at 230VAC, Full Load
Power Factor Correction	1.0 Max., Full Load
Safety Ground Leakage Current	0.75mA Max. @ 240VAC, Full Load

Output

Output Voltage & Current	See Chart
Ripple & Noise (P-P)	1% Max., Full Load @ 90VAC Input
Over-Voltage Protection	Set at 112 - 132% of Nominal Output Voltage
Over-Current Protection	Set at 110 - 150% of Nominal Output Current
Temperature Coefficient	± 0.04% / °C Max.
Transient Response	Full Load to Half Load @ 100VAC Input: 4mS Max.

Environmental

Operating Temperature	0°C to 70°C
Derating	Derated from 100% at +40°C to 50% at +70°C
Storage Temperature	-40°C to 85°C
Relative Humidity	5% to 95% Non-Condensing

Electrical

Efficiency	85% Max.
Hold-Up Time	50mS Min.
Line Regulation	±1% Max. at Full Load
Load Regulation	±10% Max. at 230VAC
Inrush Current	30A @ 115VAC Max. 60A @ 230VAC Max. at 25°C Cold Start
Withstanding Voltage	4242 VDC from Input to Output, 2121 VDC from Input to Ground
Insulation Resistance	50 MΩ Min. from Output to Ground
Mean Time Between Failure (MTBF)	100,000 Hours Min., Full Load at 25°C Ambient

Safety

EMI Requirements	Meets Conduction Limits of: (A) FCC Part-15 Class B (B) CISPR-22 Class B
Safety Standards	Meets or Exceeds: (A) UL/ c-UL 60950-1 (B) ITS/GS EN 60950-1 (C) CB (D) CE (E) SEMKO (F) PSE



SP130P Series

Desk-Top, Switchmode Power Supply
RoHS Compliant

Date: 5/28/09

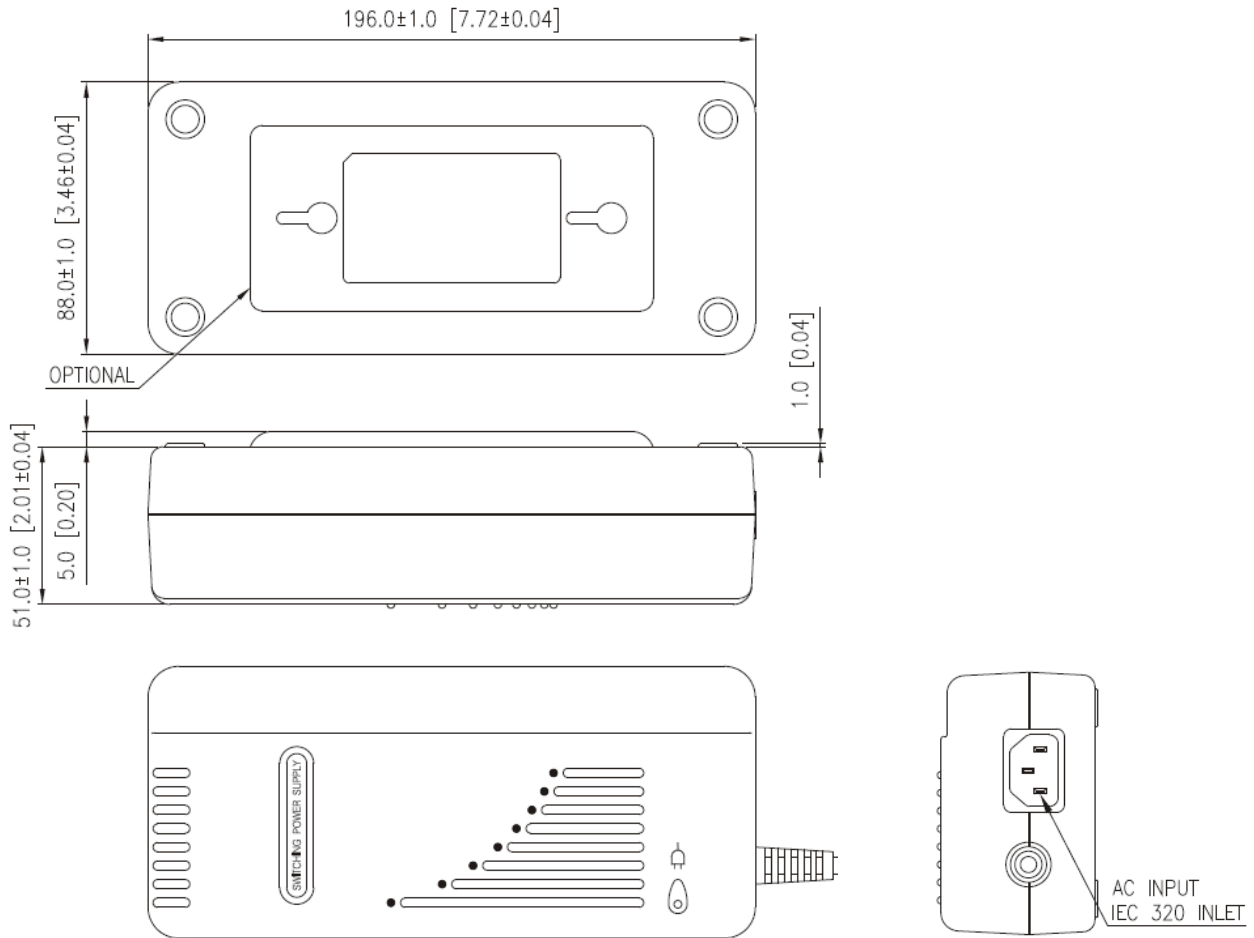
Rev: 041808

Page: 2 of 2

Output Voltage and Current Chart

Model Number	Output #1 Voltage & Regulation	Output #2 Voltage & Regulation	Maximum Output Power
SP130P260R	+3.3V @ 20A 7%	+12V @ 2A 5%	90W
SP130P250R	+5V @ 20A 7%	+12V @ 2A 5%	120W
SP130P253R	+5V @ 20A 7%	+15V @ 2A 5%	120W
SP130P254R	+5V @ 20A 7%	+24V @ 2A 5%	120W

Note: Output Connector to be specified.
Standard Connector: 6 ft. Cable w/ 5-Pin Power Din Plug



TECHNOLOGIES INC.
HICKSVILLE, NEW YORK

264 Duffy Avenue
Hicksville, NY 11801

Tel: (516) 433-1313
Fax: (516) 433-1457

Web: www.apxonline.com
Email: sales@apxonline.com

© Copyright 1978
APX Technologies, Inc.