



Features:

- Universal Input 100 – 240 VAC
- 9 VDC to 15 VDC
- 15 to 36 Watts
- Available in C6, C8, C14, U.S. 2-Prong and 3-Prong (Ground Pin) Input Styles
- High Efficiency, Low Cost Design
- Over-Voltage Protection & Short Circuit Protection
- RoHS Compliant
- CEC Efficiency Level: IV



Input

Input Voltage	90 to 264 VAC
Input Frequency	47 to 63Hz
Input Current	1.0A Max. @ 115 VAC 0.5A Max. @ 230 VAC
Inrush Current	40A Max. @ 115 VAC 80A Max. @ 230 VAC
Safety Ground Leakage Current	0.3mA Max.

Output

Output Voltage & Current	<i>See Chart</i>
Ripple & Noise (P-P)	<i>See Chart</i>
Over-Voltage Protection	140% Max.
Over-Load Protection	150% Max.
Short-Circuit Protection	Protected to Short Circuit Conditions, Auto Recovery
Temperature Coefficient	±0.04% / °C Max.

Environmental

Operating Temperature	0°C to 50°C
Storage Temperature	-20°C to 85°C
Relative Humidity	5% to 95% Non-Condensing

Electrical

Efficiency	Meets CEC Level IV Criteria
No Load Power Consumption	≤0.5 Watts
Hold-Up Time	8.3mS Minimum
Turn-On Time	3s Max.
Line Regulation	±1% Maximum
Load Regulation	±5% Maximum
Mean Time Between Failure (MTBF)	100,000 Hours Minimum

Safety

EMI Requirements	Meets Conduction Limits of: (A) FCC Part-15 Class B (B) CISPR-22 Class B
Safety Standards	Meets or Exceeds: (A) UL/c-UL (B) CEC Level IV



SM15DY – SM36DY Series

Wall Plug-In/ Desk-Top, Switch Mode Medical Power Supply, RoHS Compliant, CEC Level IV

Date: 3/23/09

Rev: 090507

Page: 2 of 3

Output Voltage and Current Chart

Model Number *	Output Range Voltage†	Ripple & Noise	Max Load Limited to Max Power	
			Load	Power
SM15DYXXR	9 - 15 VDC	1.2% Max.	1.0 A	15W
SM18DYXXR	9 - 15 VDC	1.2% Max.	1.5 A	18W
SM24DYXXR	9 - 15 VDC	1.2% Max.	2.0 A	24W
SM30DYXXR	9 - 15 VDC	1.5% Max.	2.5 A	30W
SM36DYXXR	9 - 15 VDC	1.5% Max.	3.0 A	36W

* Replace "XX" w ith Desired Output Voltage

* Replace "Y" w ith Desired Input Type:

(C6 = "6", C8 = "8", C14 = "9", 2-Prong Wall Plug-In = "U", 3-Prong Wall Plug-In (Ground Pin) = "G")

Example: SM24DG12R is a 24 Watt unit, 12VDC Output Voltage w ith 3-Prong (Ground Pin) Input

Note:

Output connector to be specified

Standard Connector is a 6 ft. cable with 2.5 x 5.5 x 11mm Female Barrel Plug, Center Positive (+)



TECHNOLOGIES INC.
HICKSVILLE, NEW YORK

264 Duffy Avenue
Hicksville, NY 11801

Tel: (516) 433-1313
Fax: (516) 433-1457

Web: www.apxonline.com
Email: sales@apxonline.com

© Copyright 1978
APX Technologies, Inc.



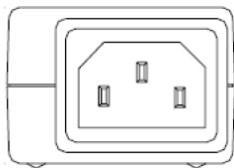
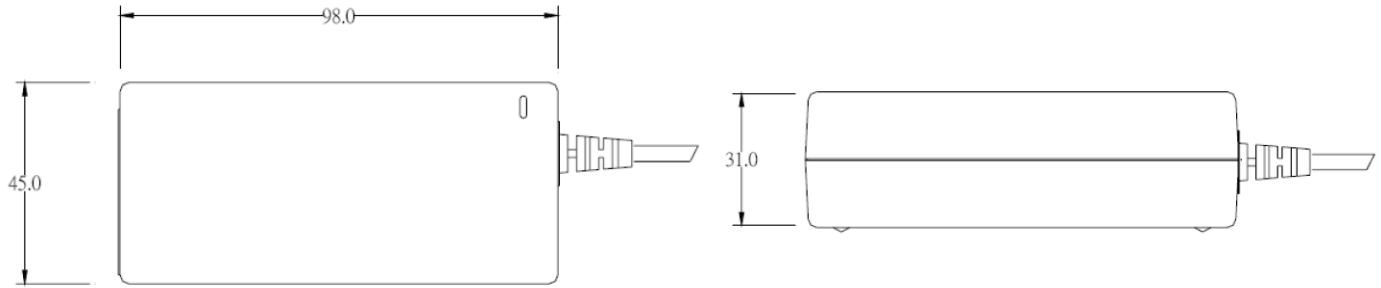
SM15DY – SM36DY Series

Wall Plug-In/ Desk-Top, Switch Mode Medical Power Supply, RoHS Compliant, CEC Level IV

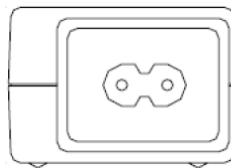
Date: 3/23/09

Rev: 090507

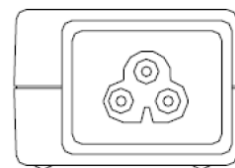
Page: 3 of 3



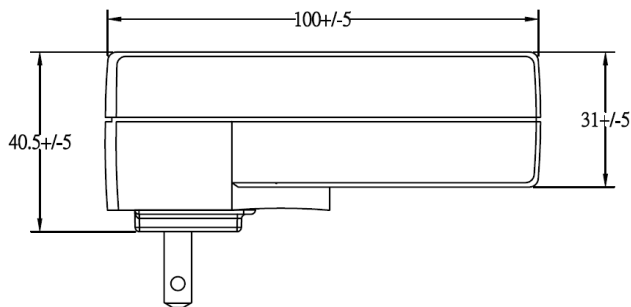
C14 Input Socket:
Order as SM__D9XXR



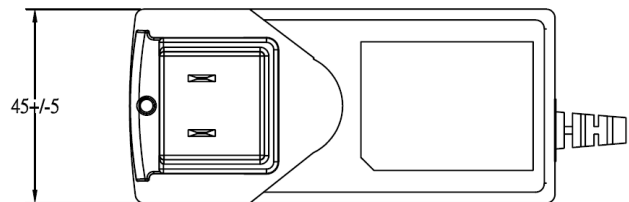
C8 Input Socket:
Order as SM__D8XXR



C6 Input Socket:
Order as SM__D6XXR



2-Prong Unit (Shown):
Order as SM__DUXXR



3-Prong Unit (w. Ground Pin):
Order as SM__DGXXR



TECHNOLOGIES INC.
HICKSVILLE, NEW YORK

264 Duffy Avenue
Hicksville, NY 11801

Tel: (516) 433-1313
Fax: (516) 433-1457

Web: www.apxonline.com
Email: sales@apxonline.com

© Copyright 1978
APX Technologies, Inc.