



### Features:

- Universal Input 100 – 240 VAC
- 5 VDC to 27 VDC
- 10 to 12 Watts
- Over-Current Protection
- 100% Burn-In
- LED Indication
- United States, British, and European Prongs
- RoHS Compliant
- CEC Efficiency Level: V



### Input

Input Voltage	90 to 264 VAC
Input Frequency	47 to 63Hz
Input Current	0.35A Max at 115VAC 0.22A Max at 230VAC
Safety Ground Leakage Current	0.1mA Max. @ 240VAC, Full Load

### Output

Output Voltage & Current	<i>See Chart</i>
Ripple & Noise (P-P)	1% Max, Full Load @ 90VAC Input
Over-Voltage Protection	Set at 112 - 132% of Nominal Output Voltage
Over-Current Protection	Set at 110 - 150% of Nominal Output Current
Temperature Coefficient	± 0.04% / °C Max.
Transient Response	Full Load to Half Load @ 100VAC Input: 4mS Max.

### Environmental

Operating Temperature	0°C to 70°C
Derating	Derated from 100% at +40°C to 50% at +70°C
Storage Temperature	-40°C to 85°C
Relative Humidity	5% to 95% Non-Condensing

### Electrical

Efficiency	85% Max. at Full Load
Hold-Up Time	10mS Min.
Line Regulation	±1% Max. at Full Load
Load Regulation	±5% Max. at 230VAC
Inrush Current	16A @ 115VAC Max. 30A @ 230VAC Max. at 25°C Cold Start
Withstanding Voltage	5803 VDC from Primary to Secondary
Insulation Resistance	50 MΩ Min. from Output to Ground
Mean Time Between Failure (MTBF)	100,000 Hours Min., Full Load at 25°C Ambient

### Safety

EMI Requirements	Meets Conduction Limits of: (A) CRF 47 Part-18 Class B (B) CISPR-11 Class B
------------------	---

Safety Standards	Meets or Exceeds: (A) UR Listed (U.S) (B) FCC (C) TUV (D) CB (E) CE (F) PSE (<15V Only) (G) CEC Level V
------------------	--



## SM12P Series

Wall Plug-In, Switchmode Medical Power Supply  
RoHS Compliant, CEC Efficiency Level V

Date: 7/13/09

Rev: 071009

Page: 2 of 3

### Output Voltage and Current Chart

Model Number**	Output Voltage	Output Current	Total Regulation	Maximum Output Power
SM12PYXXR	5 - 6 VDC	2.00 - 1.66 A	5%	10W
SM12PYXXR	6 - 8 VDC	2.00 - 1.50 A	5%	12W
SM12PYXXR	9 - 11 VDC	1.33 - 1.09 A	5%	12W
SM12PYXXR	12 - 13 VDC	1.00 - 0.92 A	5%	12W
SM12PYXXR	14 - 16 VDC	0.86 - 0.75 A	5%	12W
SM12PYXXR	17 - 21 VDC	0.71 - 0.57 A	3%	12W
SM12PYXXR	22 - 27 VDC	0.55 - 0.44 A	3%	12W

\*\* To Complete Part Number:

- Replace "Y" with Desired Plug Base (U.S. = "U", U.K. = "B", European = "E")
- Replace "XX" with Required Output Voltage (5VDC = "05", 12VDC = "12", 24VDC = "24", ect.)

Example: SM12PE24R indicates a 24VDC Unit with a European Blades.

Note: Output Connector to be specified.

Standard Connector: For 5V - 8V Output: 6 ft., 18AWG cable w/ 2.5x5.5x11mm female barrel coaxial plug, center-hole positive (+).

For 8V - 27V Output: 6 ft., 20AWG cable w/ 2.5x5.5x11mm female barrel coaxial plug, center-hole positive (+).



TECHNOLOGIES INC.  
HICKSVILLE, NEW YORK

• 264 Duffy Avenue  
• Hicksville, NY 11801

• Tel: (516) 433-1313  
• Fax: (516) 433-1457

• Web: [www.apxonline.com](http://www.apxonline.com)  
• Email: [sales@apxonline.com](mailto:sales@apxonline.com)

• © Copyright 1978  
• APX Technologies, Inc.



# SM12P Series

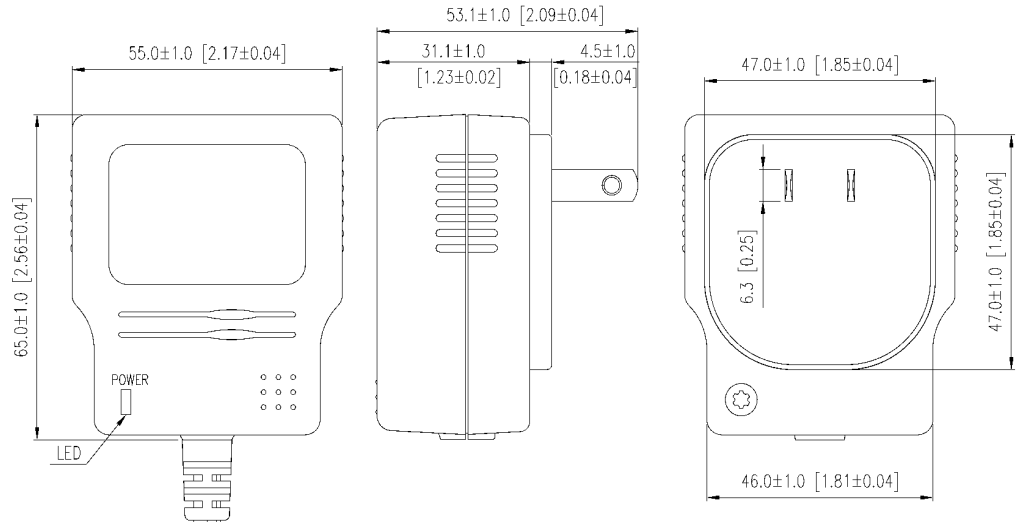
Wall Plug-In, Switchmode Medical Power Supply  
RoHS Compliant, CEC Efficiency Level V

Date: 7/13/09

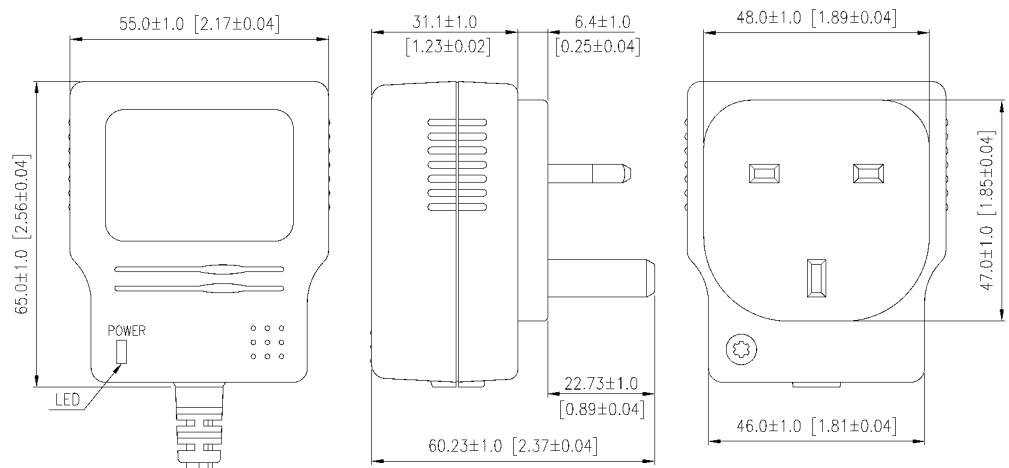
Rev: 071009

Page: 3 of 3

Order as: SM12PU\_\_R



Order as: SM12PB\_\_R



Order as: SM12PE\_\_R

